

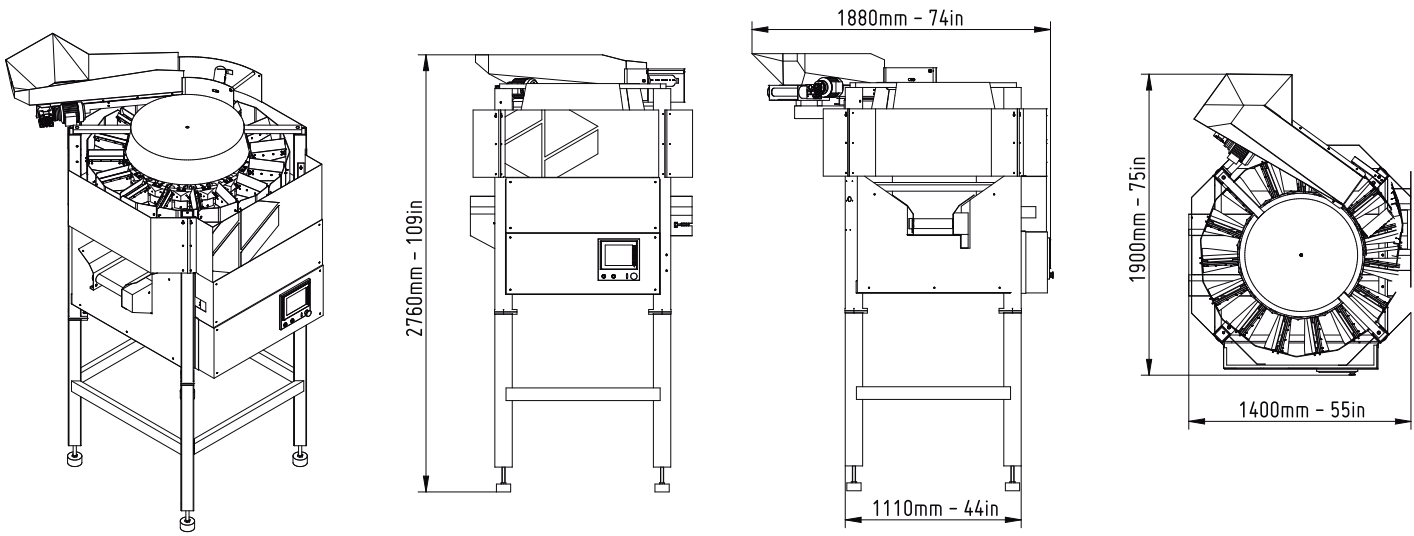
PA-25

Automatic Weighing Machine



- › Associative weighing machine with 15 large rotating buckets and only 1 load cell.
- › The PA-25 uses a large color LCD touch-screen that allows easy programming and monitoring.
- › Automatically adjusts bucket infeed; achieving the best performance for any condition.
- › Simple and robust construction; very low maintenance.





PA-25 >

Operator Friendly

Low Maintenance

Very reliable

Versatile

The PA-25 sets all weighing parameters automatically, achieving the best performance under any condition. Optional manual settings are available if a manual override is necessary.

The optional manual settings are kept in the memory and easily recalled by entering the program number on the touch-screen.

> ATTACHED INFORMATION

WEIGHT	555 Kg	1224 Lbs
AIR CONSUMPTION	150 l/min	5.3 CFM
AIR PRESSURE	6 bar	90 psi
ELECTRICAL POWER	1,3 Kw	
INPUT VOLTAGE	220/380/415 V	

PA-25 WEIGHING MACHINE IS AVAILABLE IN 2 VERSIONS:

PA-25		PA-25D
A single exit belt that can operate in both directions	Exit belts	Two independent exit belts looking to obtain more production
It allows to work alternatively with two bagging machines	Bagging machines	It allows to work simultaneously with two bagging machines
From 1 Kg up to 25 Kg	Weights (max-min)	From 1 Kg up to 5 Kg
Up to 35 p/m	*Packs per minute	Up to 45 p/m

**Depending on pack weight and product size*