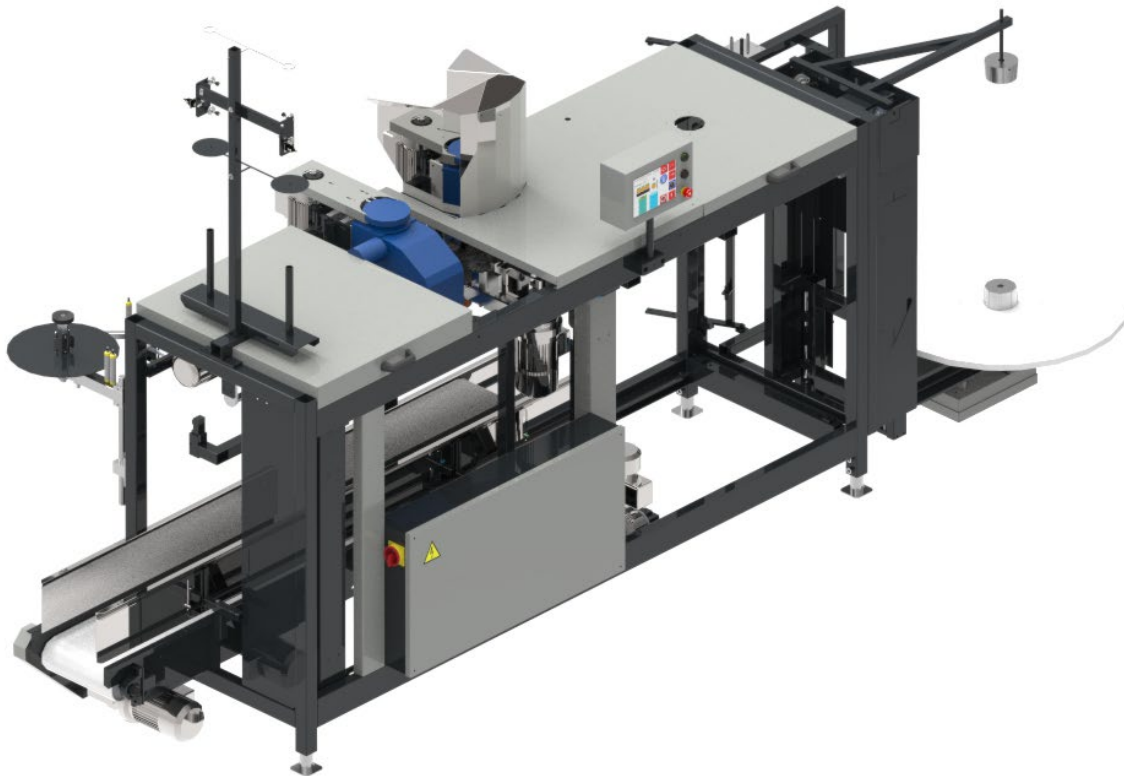


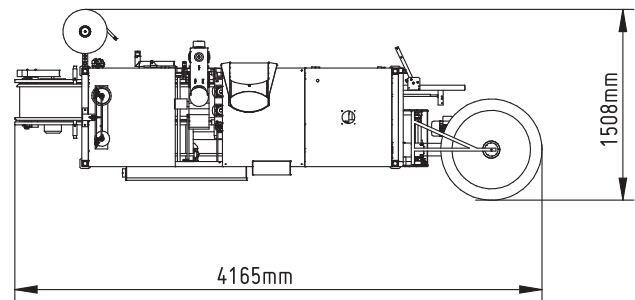
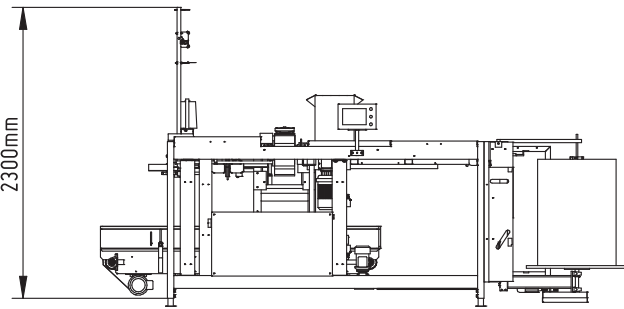
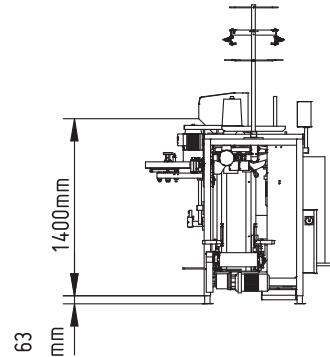
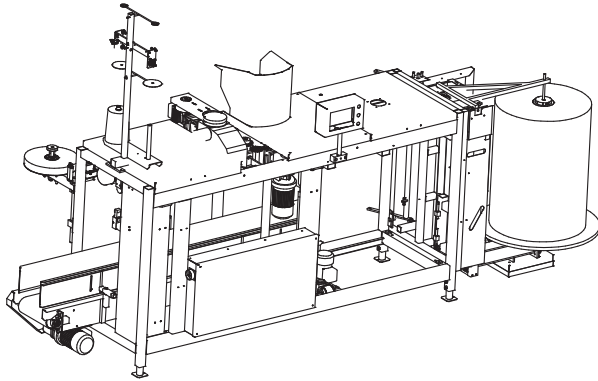
CS-28

Raschel Sacks Bagger



- › Filling Sacks bagger with FishBein Sewing head machine
- › Automatic Bobbin Holder Platform
- › Automatic Transfer Belt
- › Adjustable position of heaters for accurate cutting sacks.
- › Touching screen with intuitive and easy operation software





The CS-28 bagger fills Raschel sacks between 5 Kg and 25 Kg, it sewn preformed sacks presented in bobbins. As optional two possibilities, film holder to sewn film band on top of the sacks, and CEA-44 printer-dispenser of self-adhesive labels for additional data as logos, dates or tracking data.



The CS-28 is the strongest and reliable Raschel sacks machine of the market, specially designed to work with unwashed products.

Always in function of the weighing line, the CS28 can reach:

- › 5 kg sacks up to 25 p/m.
- › 10 kg sacks up to 21 p/m.
- › 25 kg sacks up to 10 p/m.

