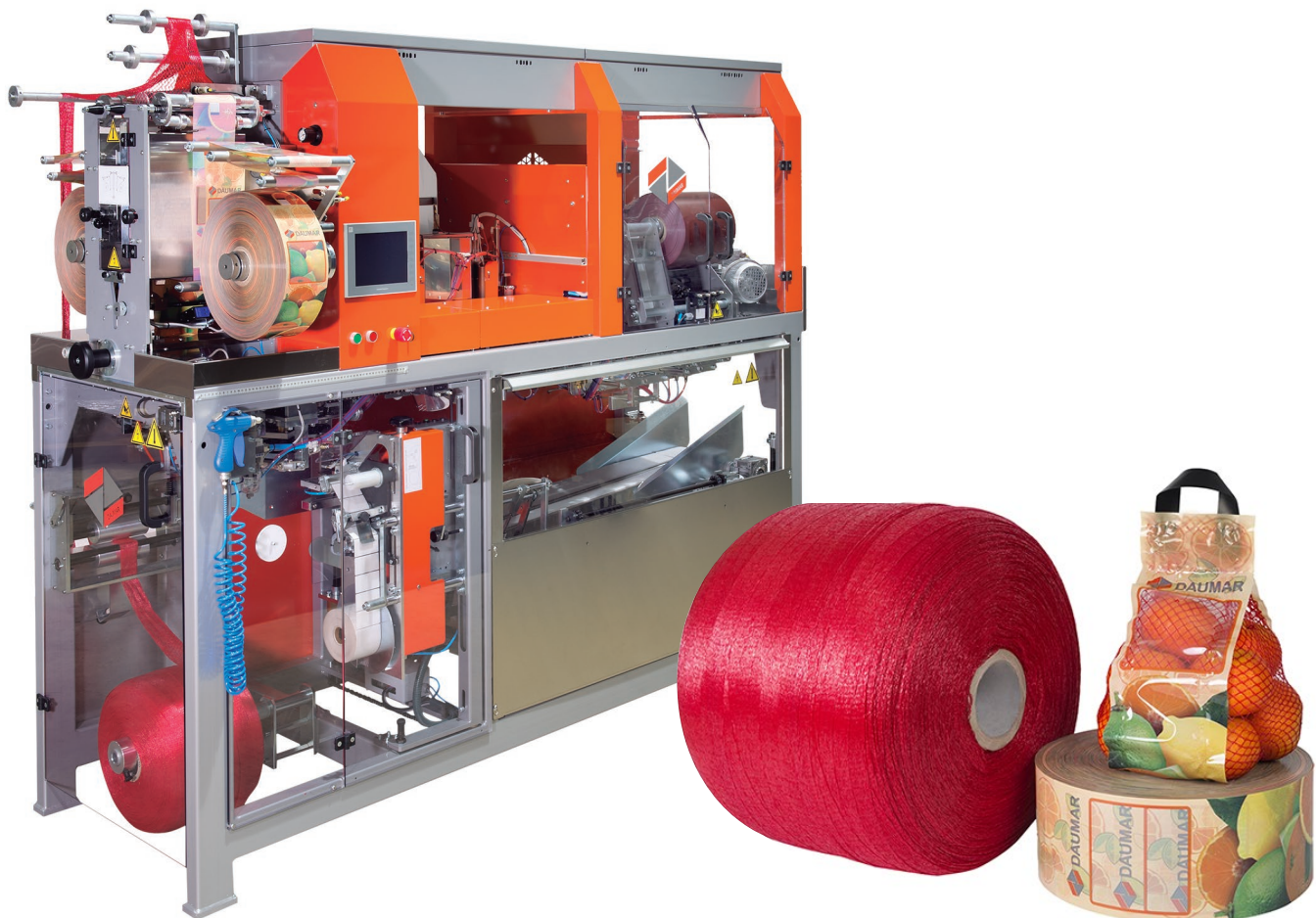


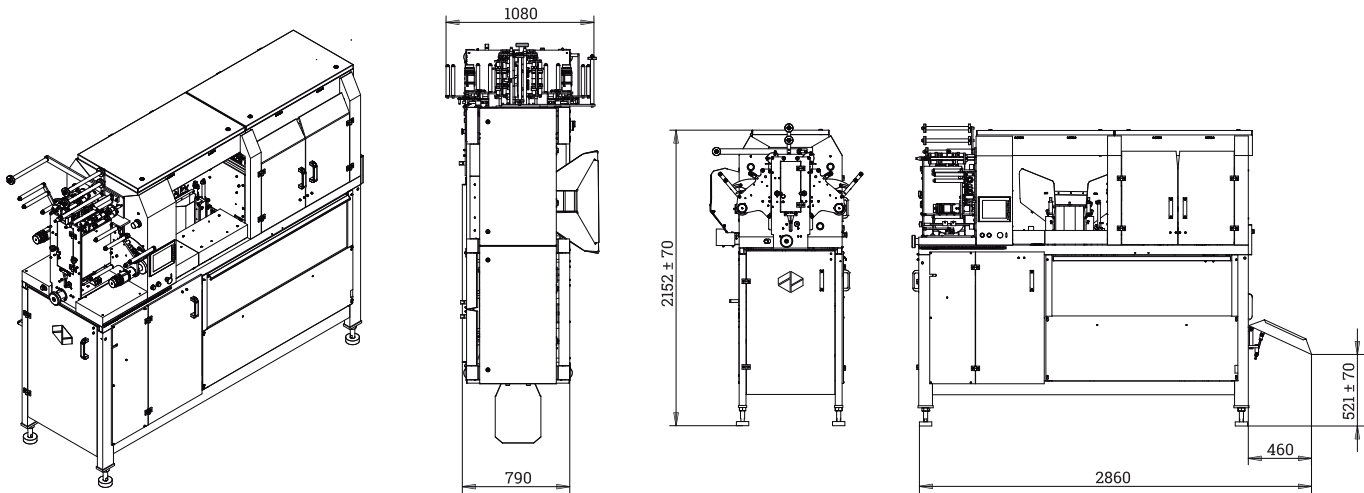
CB-148

Automatic Welding Machine
for D-PACK Bags



- › High-Productivity, up to 32 bags per minute
- › Makes D-PACK bags from 0.5 Kg (1 LBS) up to 5 Kg (10 LBS) & DAUSAC up to 2 Kg (5 LBS)
- › Remote Maintenance via Ethernet Connection
- › Optional Direct Thermal Transfer Printer
- › Delicate produce handling due to horizontal design





CB-148 ›

Simplicity

Versatility

**Maximum
autonomy**

**High
productivity**

The CB-148 makes the exclusive D-Pack bag, the most elegant stand-up net bag for fresh produce. The D-Pack's presentation and carry handle offer the consumer a premium look and comfortable way of picking up the bag.

- › The CB-148 is built on a horizontal frame, allowing for maximum production and gentle handling.
- › The CB-148 incorporates a color LCD touch-screen with intuitive software. It also allows for easy remote diagnostics via a built-in Ethernet port.

