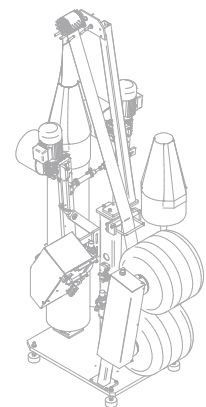
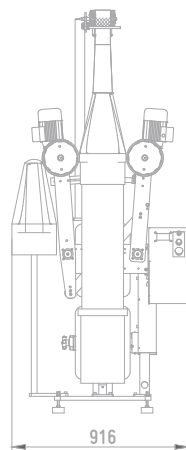
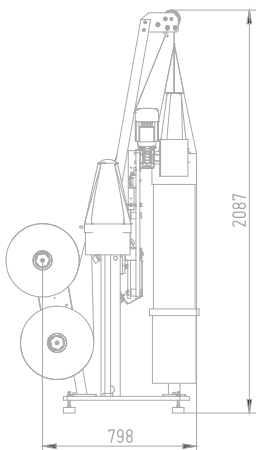


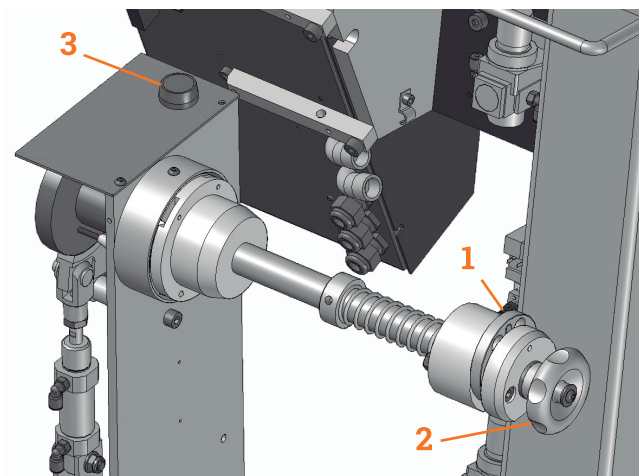
CM-68  
Net Loading Machine



The CM-68 is a fully automatic rucking machine for knitted netting.

### LOAD THE NETTING

There are two shafts for mounting the netting on the rear of the CM-68. Choose a shaft, slide the netting roll over the shaft until fully seated, retract locking mechanism (1) and turn tightener (2) until the roll is held tightly in place. Button (3) is used to release the brake on the roll so that you can feed the netting through the guide and over the brush.

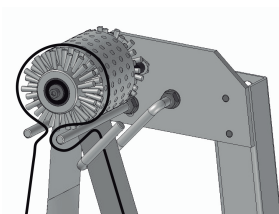


Make sure the netting tube is on the platform and the loading cone is properly seated on the netting tube.

Feed the netting through the guide, over the brush and onto the loading cone. Make sure the netting is well below the rubber rollers.

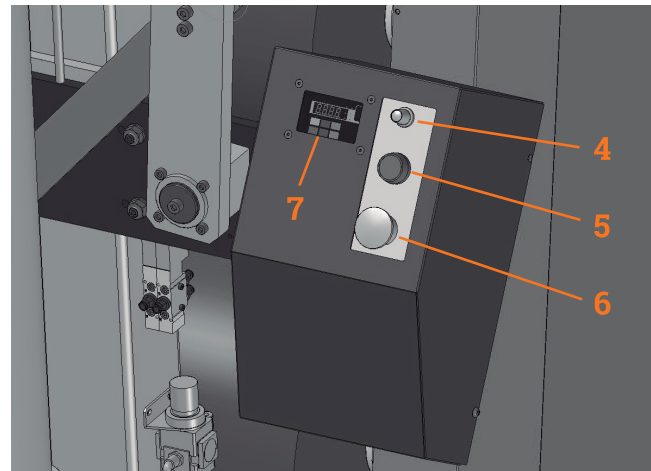
### Program the Counter

By turning knob (4), you can adjust the amount of netting to be loaded. The number that appears on the screen (7) depicts the selected number of meters to be fed onto the netting tube.



### Start the CM-68

To start the process, press button (5). You will notice that the rollers will close over the loading cone, button (5) will illuminate and the counter will start counting the meters of netting being loaded.



### STOP THE CM-68

**Controlled STOP:** Press button (5) for a controlled stop, by which the system slows down gradually by reducing the speed on the rollers and applying brake pressure to the netting roll.

**Emergency STOP:** Press button (6) in the event you need the machine to stop immediately. Please note, this can cause netting tears.

### Alarm Stop

The CM-68 can ALARM or just stop functioning if the netting gets jammed, brush stops spinning, etc. If this happens, the rollers will not retract and button (5) stays illuminated. You must re-start the machine after identifying and correcting the problem.

### Re-Start After an Alarm

There are 2 ways of restarting the CM-68 after an alarm.

To start where you left off (maintaining the counter), give button (5) a short push.

To start with the counter set to 0, give button (5) a long push, until the rollers retract. Now press button (5) again to restart.

### END OF CYCLE

When the CM-68 reaches the selected number of meters, it will perform a controlled STOP, release the rollers and turn button (5) off.