

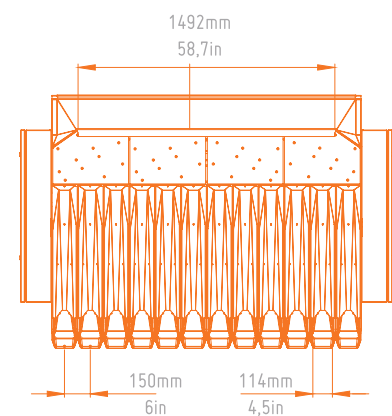
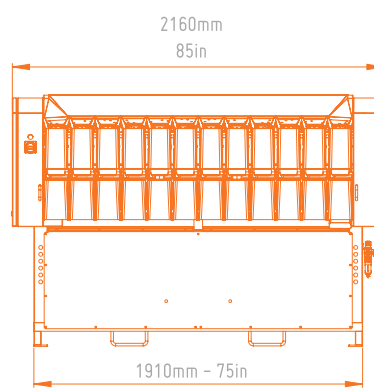
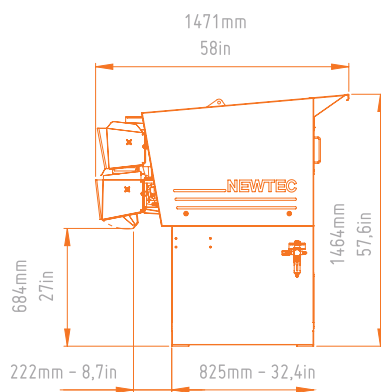
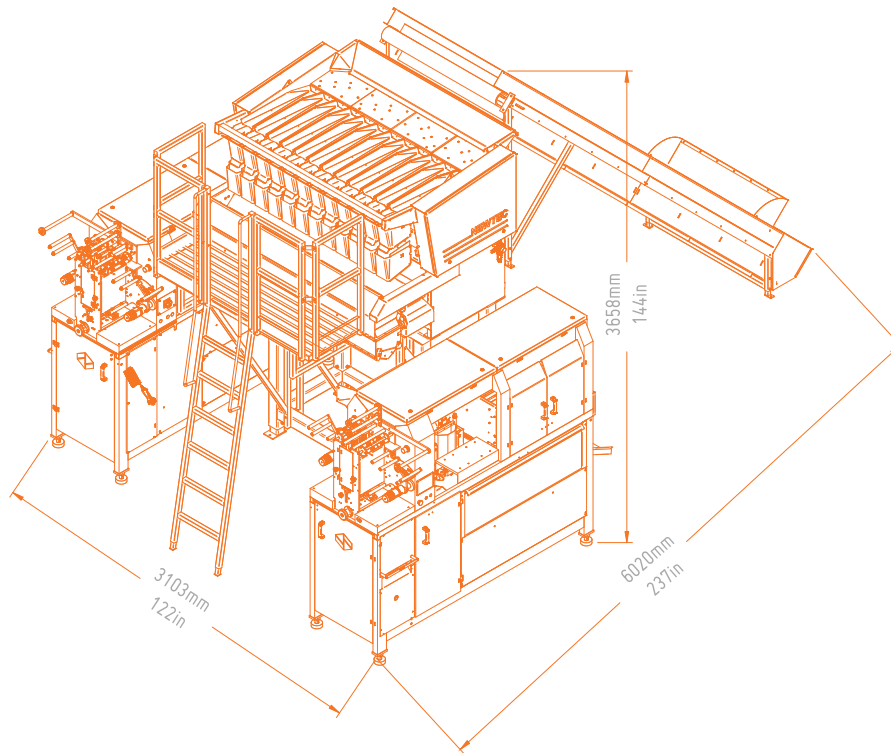
# 4012B2

## Weighing Machine



- › High weighing accuracy – typical giveaway of less than 0,2%
- › Number of weigh heads: 12
- › Quick dismantling and assembly of weigh buckets
- › Easy access for cleaning and service
- › Small footprint
- › Web Services enabled for remote servicing and for capturing production data
- › Optional third exit for clipping machine





**> ATTACHED INFORMATION**

**CAPACITY** 0.5 - 4 kg / 1 to 10 lbs (depending on product)

**PRODUCT SIZE** Ø: 20 - 120 mm / 0,75" to 4.75 "

**Air Requirement**

**CONNECTION** 3/8"

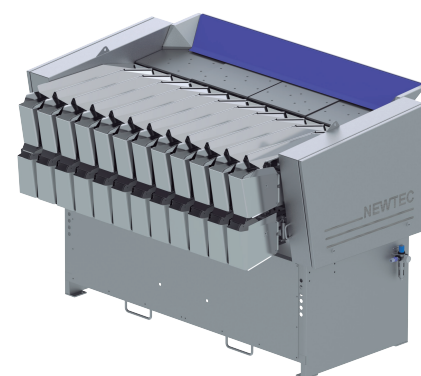
**MIN. PRESSURE** 6 bar (0.6 Mpa)

**CONSUMPTION** 80 NL/min.

**ELECTRICAL REQUIREMENT** 3x230 VAC or 3x400 VAC (N) E 50/60 Hz 3-6 kW

**ENVIRONMENT** 5° C - 40° C

**WEIGHT** 700 kg - 1560 lbs (excl. portion collection system)



<b>CAPACITY</b>	1 kg 2 lbs	2.5 kg 5 lbs	4 kg 9 lbs
<b>PORTIONS PER MIN. UP TO</b>	65	60	45